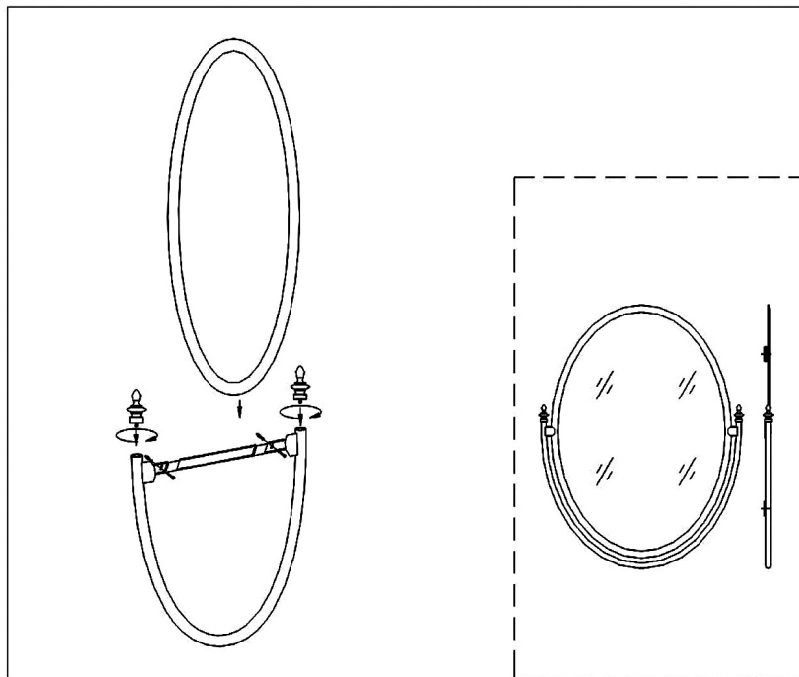


INSTALLATION INSTRUCTIONS

1. Install mirror metal bracket onto the wall.
2. Make sure that the mirror metal bracket is leveled horizontally, then insert metal hooks at the back of the mirror into the metal bracket openings.



Oval Mirror

TY FOBARE
Bath Lighting & Accessories

Ty Fobare, Inc. 615.595.7161 www.tyfobare.com